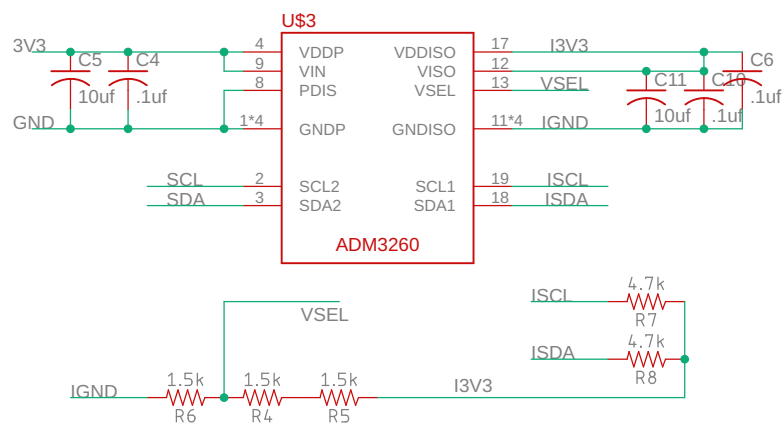
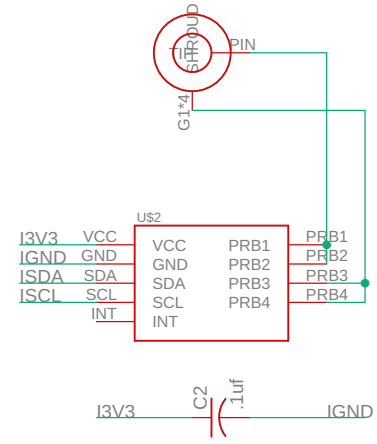


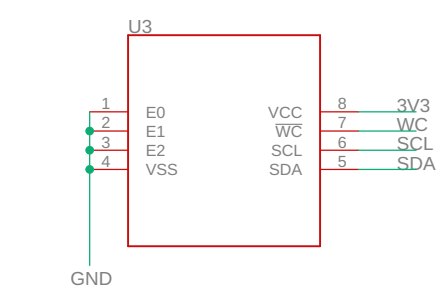
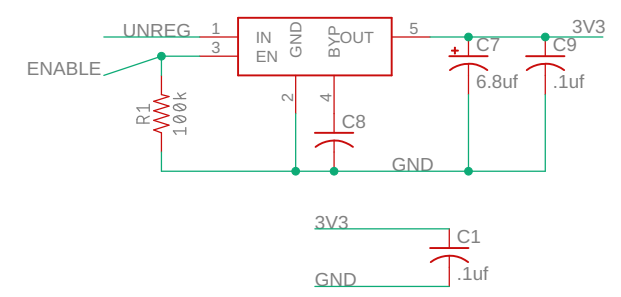
# CONNECTORS

# PULLUPS



# MODULE

# ISOLATOR



# POWER

# EEPROM